

N O M E N

Nomen Products · Steckelhörn 12 · 20457 Hamburg · Germany

Phone +49 40 367683 · Fax +49 40 367685 · info@nomenproducts.de · www.nomenproducts.de



N O M E N

The Nomen Cleat...

Description

The folding mooring cleat from Nomen provides the benefits of flush and rigid cleats to aesthetic perfection.

- Loose lines cannot get caught during manoeuvring.
- The danger of injury at sea is reduced.
- The cleat is easy to fit to the deck.

The patented folding mechanism with the simple elastic ball is fail-safe and lends a charm all of its own.

Functioning

The gentle locking of the cleat arms in the two end positions is produced by an elastic ball which is located between the two arms. It deforms to respond to tension.

Awards

- 1996 *Designpreis Schleswig-Holstein*, The design award of Northern Germany
- 1998 *Federal Product Design Award*, The highest German design prize
- 1997/98 *Ranking: Design "Die 100 Besten, Industrie-Design"* Verlag Form GmbH
- 2000 *Hiswa Award*, The annually prize of the Dutch marine branch association, Amsterdam
- 2002 *Dame Award, Special Mention* the annually prize of the METS Amsterdam (Marine Equipment Trade Show)

...is suitable for all kinds of boats



No lines can get caught



Fast Cruising
115' Ketch

The danger of injury is reduced



Goldfish Boats
Patrol RIB 28

High reliability



Privat Customer
39' One Off

N O M E N



Easy to fit



Mega Yachts
Incognito 45m

Aesthetic appearance



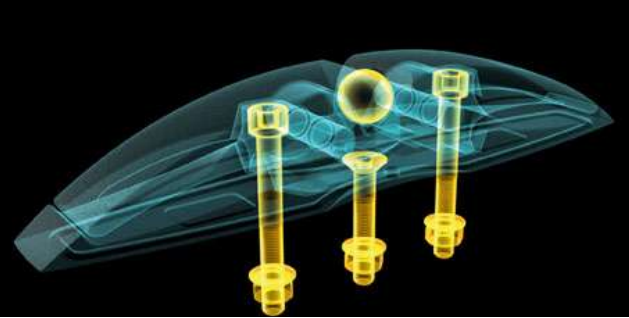
Refit
Avance 24

No fishing lines can
get caught

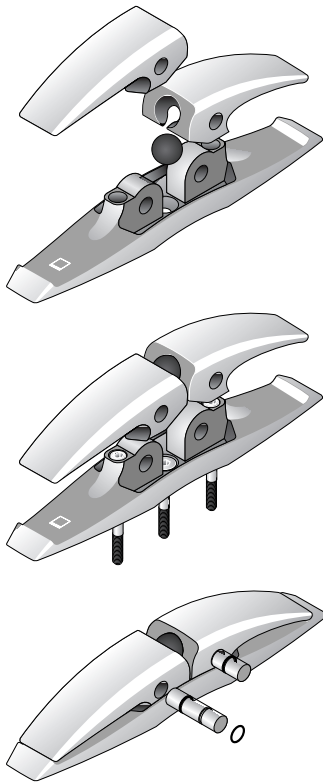
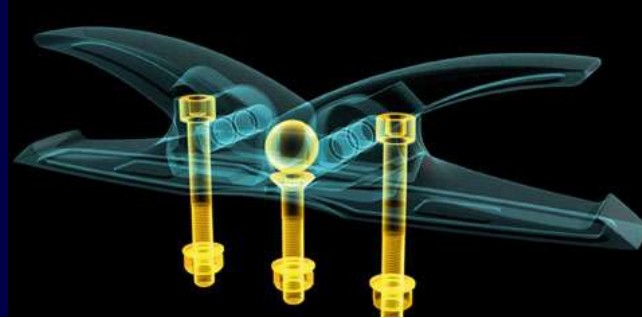


Knierim
judel/vrolijk 48

Light weight



N O M E N



Manufacture / Material

The Nomen cleat is manufactured in Hamburg/Germany from seawater resistant aluminium with CNC machining, ensuring absolute precision. The surface is hand polished and anodised.

Fitting the cleat

First of all the base part of the cleat is screwed and glued to the deck.

After that, the cleat arms are attached manually, without the help of tools.

The screw heads beneath are concealed from view.

Sizes

The cleat is available in four lengths.

200mm / 7,8 inch
 250mm / 9,8 inch
 300mm / 11,7 inch
 400mm / 15,6 inch

Special sizes can be manufactured on request.

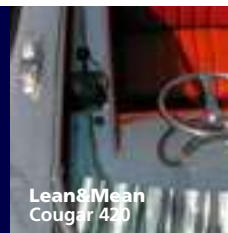
Photography: Anselm Gaupp · Computer Animations: Lichtecht



High breaking load



No deck opening



No drainage needed



Loewind
Loewind 57

Seaway
Shipman 50

Messink
Max Fun 35

Lean&Mean
Cougar 420